

Aluminium Pitot Tubes

⚙ Description:

The Pitot Tube is a differential pressure producer suitable for air flow measurement. It includes multiple sensing points to measure total and static pressures. It is easy to install and cost effective. It offers simple, low cost installation into pipes and ducts, and high energy savings due to its low unrecovered pressure loss. There are no moving parts or sharp edges to wear, so long term accuracy can be maintained. It contains a rubber cap, Plastic base and two 1 meters length air tube.



⚙ Features:

- Air Flow Measurement
- Low Installation Costs
- Long Term Accuracy
- Minimal Unrecovered Pressure Loss
- Mass Flow Measurement

⚙ Specifications:

Probe

Material	:	Aluminium alloy
Dimensions	:	7.8 x 19.5mm (0.3"x 0.8")
Tubing inner diameter	:	Φ3.8mm

Rubber cap

Material	:	Rubber
Connections	:	To suit 4mm (0.16") i/d PVC air tubing

Duct flange

Material	:	ABS
Dimensions	:	30 x 75mm (1.2"X 3")

Air tube

Material	:	PU
Dimensions	:	inside and out side diameter Φ 4 x Φ6mm
length	:	1m

⚙ Dimension:



Pitot Extrusion



Air tube



Plastic Base



Rubber cap



Screw



Aluminium Pitot Tubes

⚙ Comparisons:

ELLIPSE VS. ROUND

The Elliptical Advantage



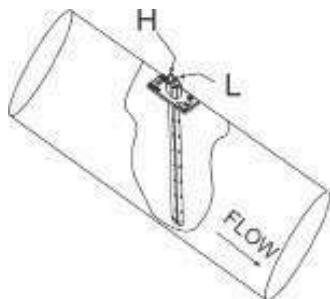
- Flow boundary layers attached to probe surface
- No separation effects
- No vacuum effects
- No vortex generation
- Low drag coefficient
- High repeatability



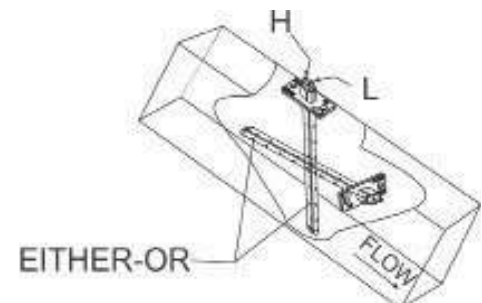
- Low static pressure signal affected by separation
- Vacuum effects limit turndown ratio to 4 to 1
- High drag coefficient creates high pressure loss
- Variable intensity vortices generated downstream creates signal amplifications, vibrations and acoustic problems

⚙ Duct orientation and sensor mounting:

circular duct installation



square or rectangular duct installation



Aluminium Pitot Tubes

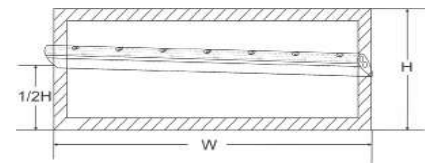
⚙️ Instruction for installation:

Step1: The primary station can be installed in any position on vertical or horizontal lines. However consideration to easy access of instrument connections should be given.

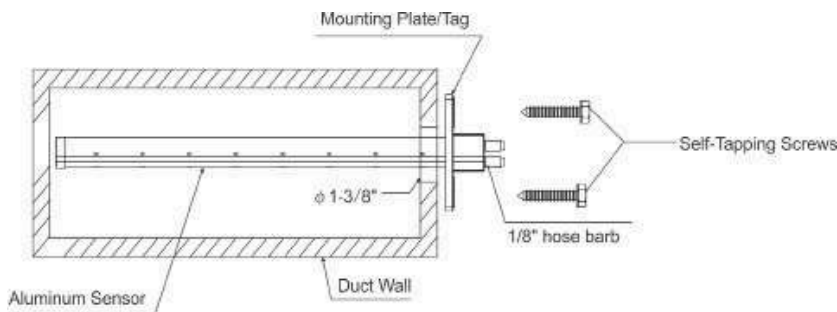
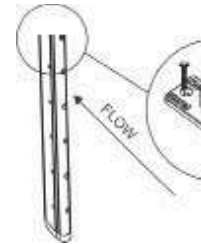
Step2: See location instructions for best results.

Step3: Drill a 1-7/8" hole in the center of the duct or pipe where the sensor is to be installed. Drill a 1/2" hole on the opposite side for the double support.

Step4: Attach opposite end-guide rod and pass through both holes. Ensure correct direction of flow. Secure mounting plate to duct or pipe with (2) self-tapping screws.



Preferred Mounting



HOW TO ORDER

⚙️ Description:

PTT

PTT Pitot Tube

⚙️ PITOT SIZE:

250

100	4"	200	8"	300	12"
150	6"	250	10"		

Other custom lengths are available, no minimum order

Ordering Example: PTT - 250



This document was created with the Win2PDF "print to PDF" printer available at <http://www.win2pdf.com>

This version of Win2PDF 10 is for evaluation and non-commercial use only.

This page will not be added after purchasing Win2PDF.

<http://www.win2pdf.com/purchase/>