

BIMCO Mass Flow Products – Gas Flow Meters BMF4000 Series



BMF4000 Series Manifold Gas Flow Meters

The Products

BMF4000 Series mass flow meters are designed for applications where manifold flow measurements and/ or space limitation would be the keys. The standard flow channels are 3 mm and 8 mm in diameter, respectively. Plastic finishing with an easy change of the mechanical adaptors enables applications at a low cost and different environments. The meters can be used for process gas control, environmental samplers and many other industrial applications.

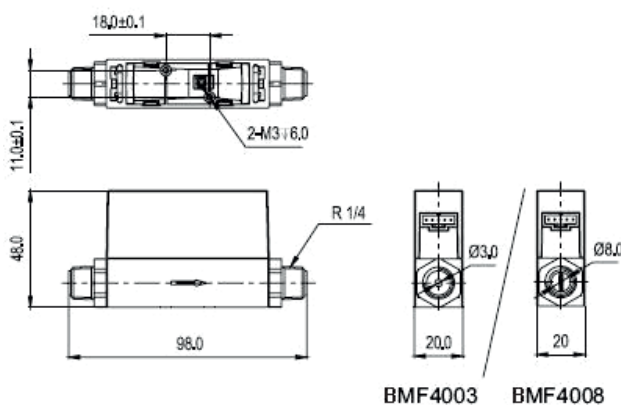
Features

- ✦ Designed for low gas flow in fixed flow channel of 3 mm and 8 mm, with accumulated flow register
- ✦ Compact design ready for manifold assembly
- ✦ Fast response time for solutions of critical applications
- ✦ Excellent for manifold process gas monitor and control
- ✦ Exchangeable mechanical connectors for easy installation at different applications
- ✦ Intrinsic safe enclosure

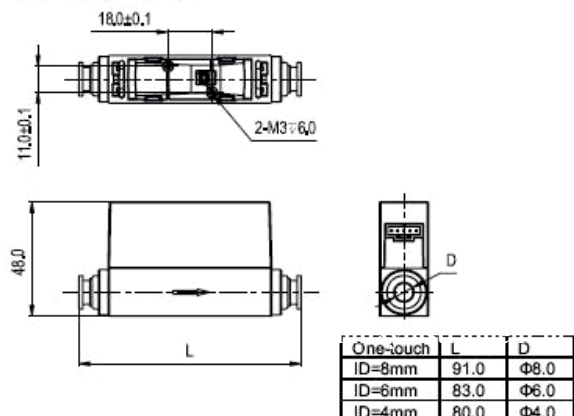


Mechanical Dimensions

BSPT 1/4 (R 1/4) connection



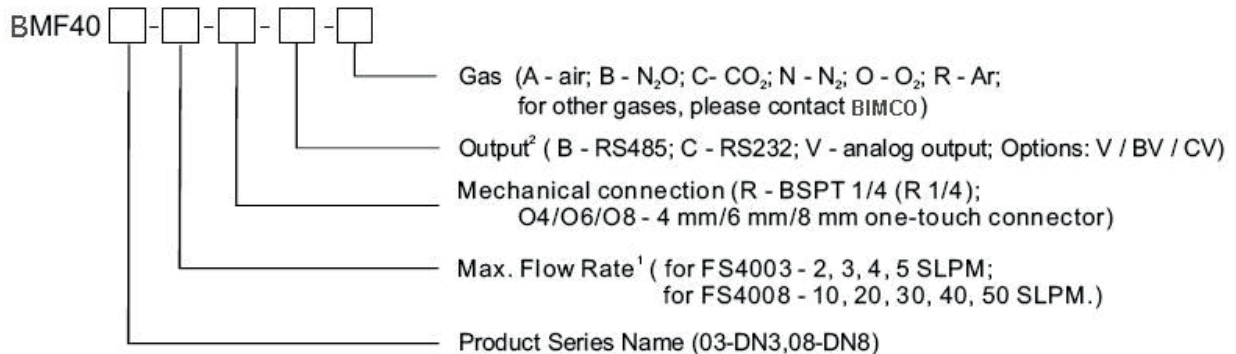
One-touch connection



Specifications

	BMF4003	BMF4008	
DN	3	8	mm
Flowrate Range	0 ~ 2, 3, 4, 5	0 ~ 10, 20, 30, 40, 50	SLPM
Turn-down	100:1		
Accuracy	± (1.5 + 0.2 FS)		%
Repeatability	0.75		%
Null Shift	± 3.0		mV
Output Shift	0.12		% / °C
Response Time	100 (default, 50, 100, 500, 1000 selectable)		Ms
Power Supply	8 ~ 18 Vdc, 100 mA		
Output	Analog 0.5 ~ 4.5 Vdc; RS232, RS485		
Display	4 – digit, 7 – segment LED; 2 status LED		
Units	Instant flow rate: SLPM; Flow accumulation: SL		
Display Resolution	0.001, 0.01, 0.1 selectable	0.01, 0.1 selectable	SLPM
Pressure Drop	100	600	Pa
Max. Pressure	0.5		MPa
Working Temperature	-10 ~ +55		°C
Storage Temperature	-20 ~ +65		°C
Humidity	< 95 % RH (No icing or condensation)		
Mechanical Connection	BSPT ¼ (R ¼), 4mm / 6mm / 8 mm One – touch		
Keyboard	3 keys		
Pins Out	5 Pins, 0.5 m		
Calibration	Air @ 20 °C, 101.325 kPa		
Weight	57 (with BSPT ¼ (R ¼)) 76 (with 4mm/8mm One-touch), 73 (with 6mm One-touch)		g

Product Selection



- 1 Only select max. flow rate, for example, 30 meaning max. flow rate of 30 SLPM.
2 The sensor standard output is analog with digital output optional.

Manufactured & Marketed By:

M/S, Bombay Instrument Mfg. Co.

SHOP NO. 5 , 50/86, JITEKAR WADI

OPP. VINAY HOTEL 88, THAKURDWAR ROAD MUMBAI – 400 002 - INDIA

Tel. : 91 (022) 2389 1073 / 2389 10 7 5

Fax : 91 (022) 2389 1075

Web. : www.bombayinstrument.in

Email : bimco@mtml.net.in , bimcoindia@gmail.com